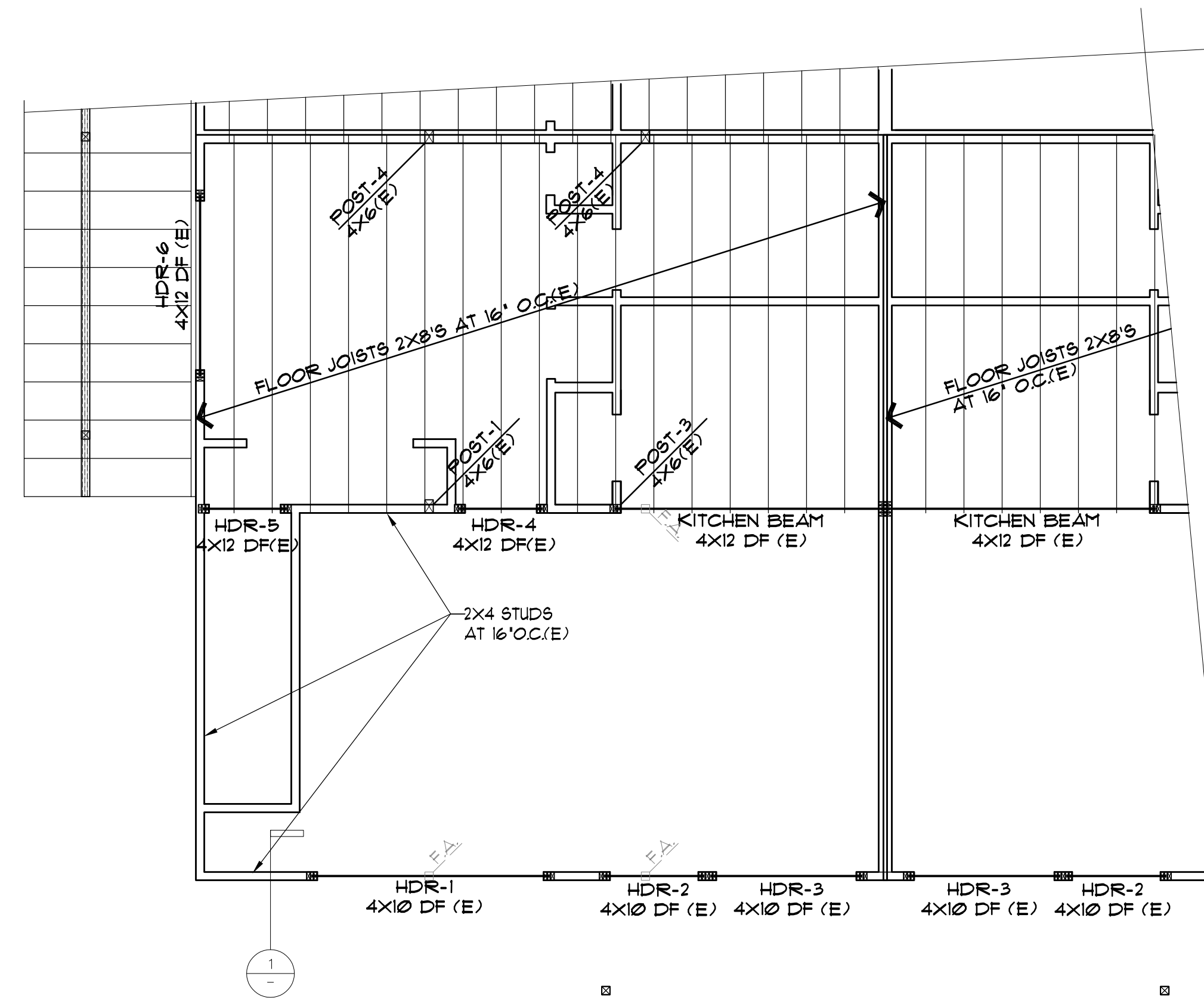


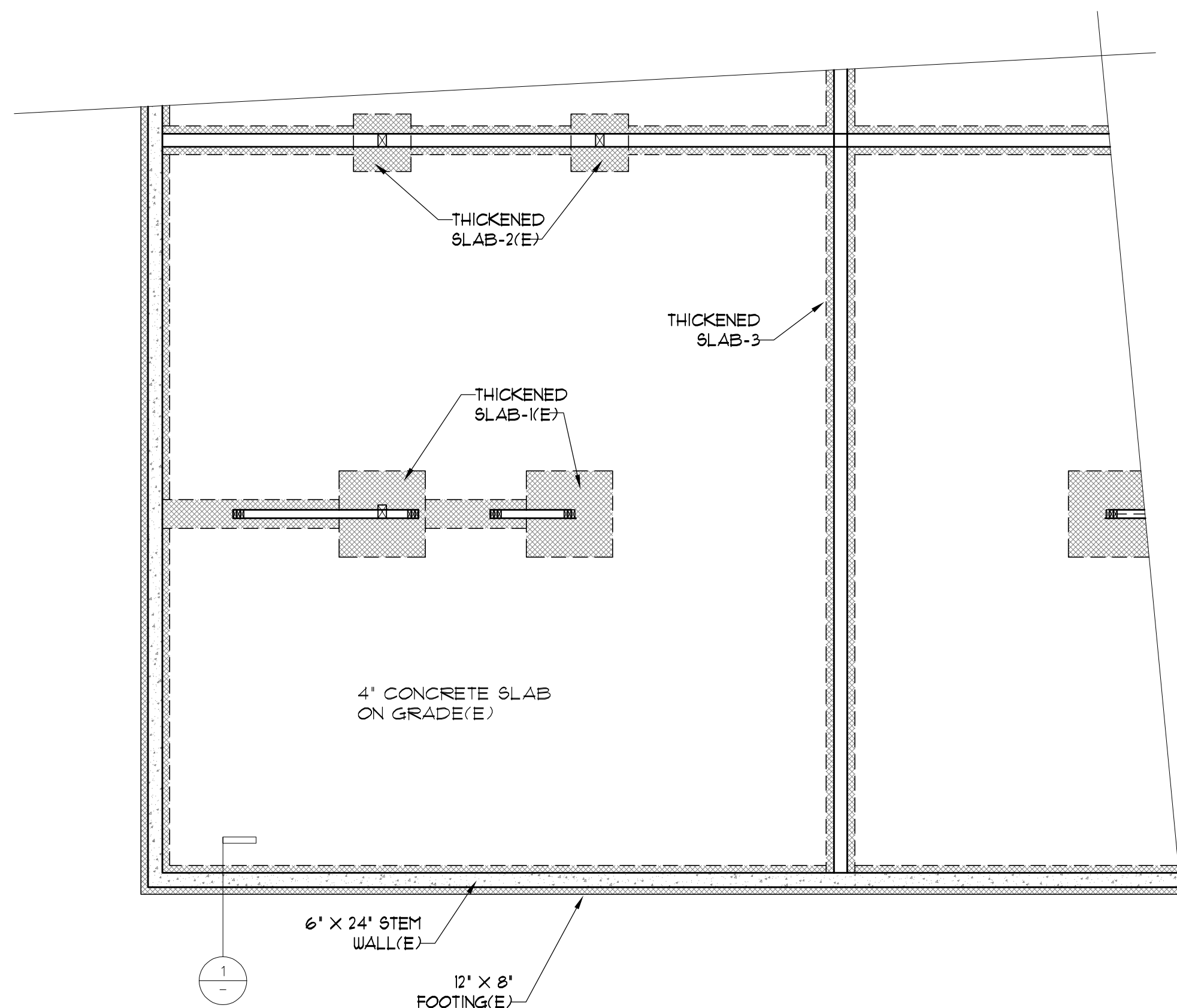
ROOF FRAMING PLAN (E)

SCALE: 1/4"=1'-0"



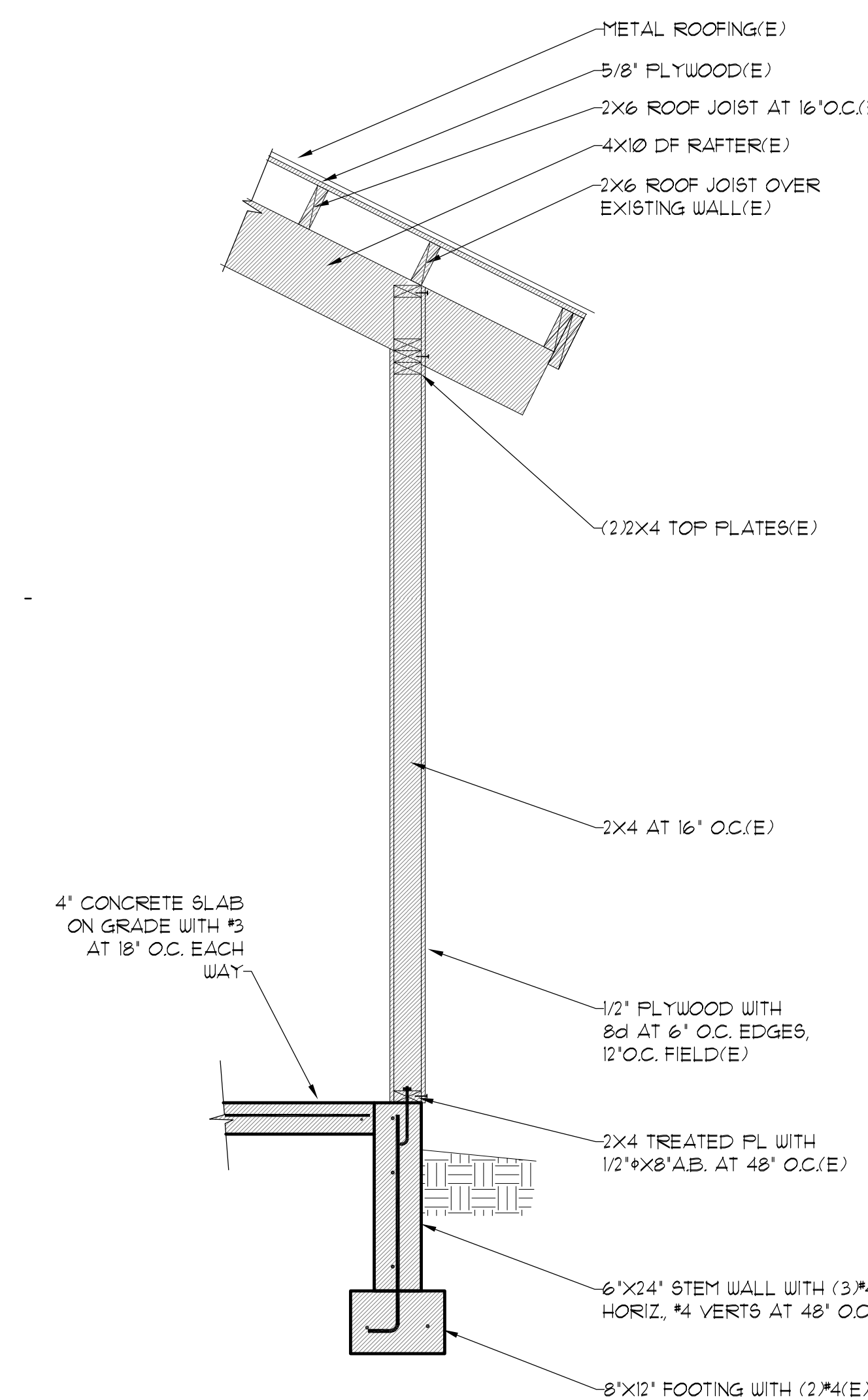
UPPER FLOOR FRAMING PLAN (E)

SCALE: 1/4"=1'-0"



FOUNDATION PLAN (E)

SCALE: 1/4"=1'-0"



1 ASSUMED EXISTING CONDITIONS

SCALE: 3/4"=1'-0"

| FRAMING | | | |
|--------------|-----------------|----------------|---|
| NAME | MEMBER (VERIFY) | CODE COMPLIANT | COMMENTS |
| HDR-1 | 4x12 | NO | TL CAPACITY: 55 PSF |
| HDR-2 | 4x12 | YES | TL CAPACITY: 125 PSF |
| HDR-3 | 4x12 | YES | TL CAPACITY: 130 PSF |
| HDR-4 | 4x12 | YES | FLOOR LOAD ONLY |
| HDR-5 | 4x12 | YES | FLOOR LOAD ONLY |
| HDR-6 | 4x12 | YES | TL CAPACITY: 130 PSF |
| HDR-7 | 4x12 | YES | TL CAPACITY: 130 PSF |
| KITCHEN BEAM | 4x12 | NO | ROOF TL CAPACITY 60 PSF |
| FLOOR JOISTS | 2x8 AT 16' O.C. | YES | FLOOR LOAD ONLY |
| ROOF JOISTS | 2x6 AT 16' O.C. | YES | TL CAPACITY: 115 PSF |
| RAFTER | 4x10 | NO | TL CAPACITY: 30 PSF |
| STUDS | 2x4 AT 16' O.C. | YES | ROOF TL CAPACITY: 130 PSF |
| POST-1 | 4x6 | YES | ROOF TL CAPACITY: 130 PSF |
| POST-2 | 4x6 | YES | ROOF TL CAPACITY: 130 PSF |
| POST-3 | 4x6 | YES | ROOF TL CAPACITY: 130 PSF |
| POST-3 | 4x6 | YES | ROOF TL CAPACITY: 130 PSF |
| SHEAR WALL | VERIFY | TBD | LATERAL ANALYSIS MAY BE REQUIRED DEPENDING ON OPTION CHOSEN |

| LOADING INFORMATION | | | | | |
|---------------------|---|----------|----------------------|----------|----------------|
| CONDITION | DESCRIPTION | FF (PSF) | F _s (PSF) | DL (PSF) | TL (PSF) FF+DL |
| EXISTING | METAL ROOF WARM ROOF | 100 | 66 | 12 | 112 |
| OPTION 1 | METAL ROOF 2x SLEEPERS COLD ROOF | 110 | 77 | 11 | 127 |
| OPTION 2 | ASPHALT SHINGLE WARM ROOF | 100 | 70 | 15 | 115 |
| OPTION 3 | ASPHALT SHINGLE 9/12' 1-JOIST COLD ROOF | 110 | 110 | 20 | 130 |
| OPTION 4 | METAL ROOF 9/12' 1-JOIST COLD ROOF | 110 | 77 | 18 | 128 |

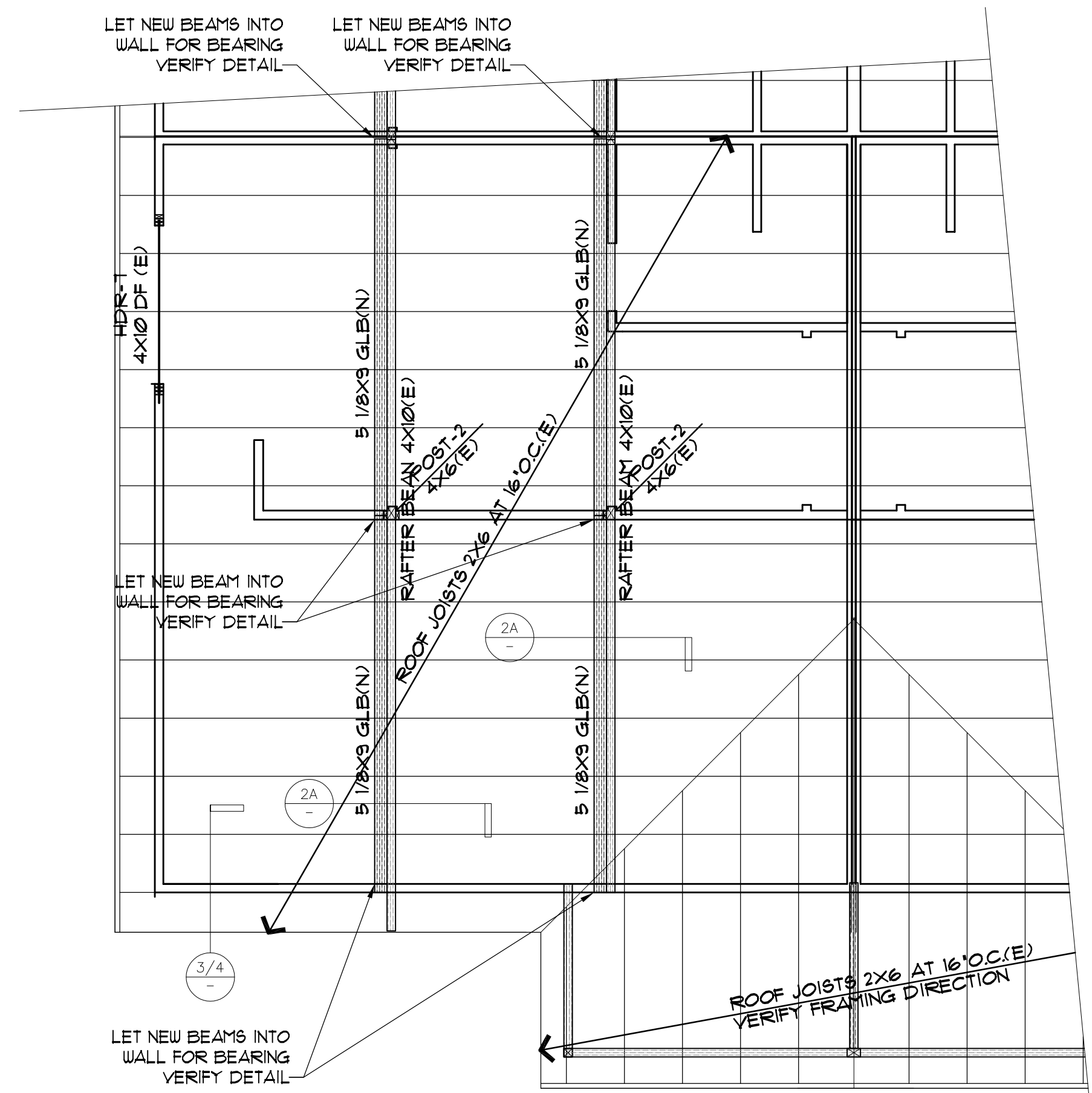
NOTES:
 SNOW LOAD INFORMATION
 F_g = GROUND SNOW LOAD = 120 PSF (PER CITY OF KETCHUM)
 FF = FLAT ROOF SNOW LOAD = 100 PSF (MINIMUM PER CITY OF KETCHUM)
 F_s = 110 PSF CALCULATED FOR COLD ROOF EXPOSURE B, SHELTERED
 F_s = SLOPED ROOF SNOW LOAD FOR UN-OBSERVED SLOPED ROOF (NOT APPLICABLE AT WHERE VALLEYS OR SNOW RETENTION IS PRESENT)

APPROXIMATE WEIGHT OF HEAVY SNOW 25 PSF PER FOOT OF DEPTH
 DL = DEAD LOAD (WEIGHT OF MATERIALS)
 TL = TOTAL LOAD (SNOW LOAD + DEAD LOAD)

NOTE: NOTED STRUCTURAL MEMBERS DETERMINED BY PICTURES AND WHAT IS VISIBLE, VERIFY ALL EXISTING STRUCTURAL MEMBERS ARE AS STATED
 (E) EXISTING STRUCTURAL MEMBER (VERIFY)
 (N) NEW STRUCTURAL MEMBER

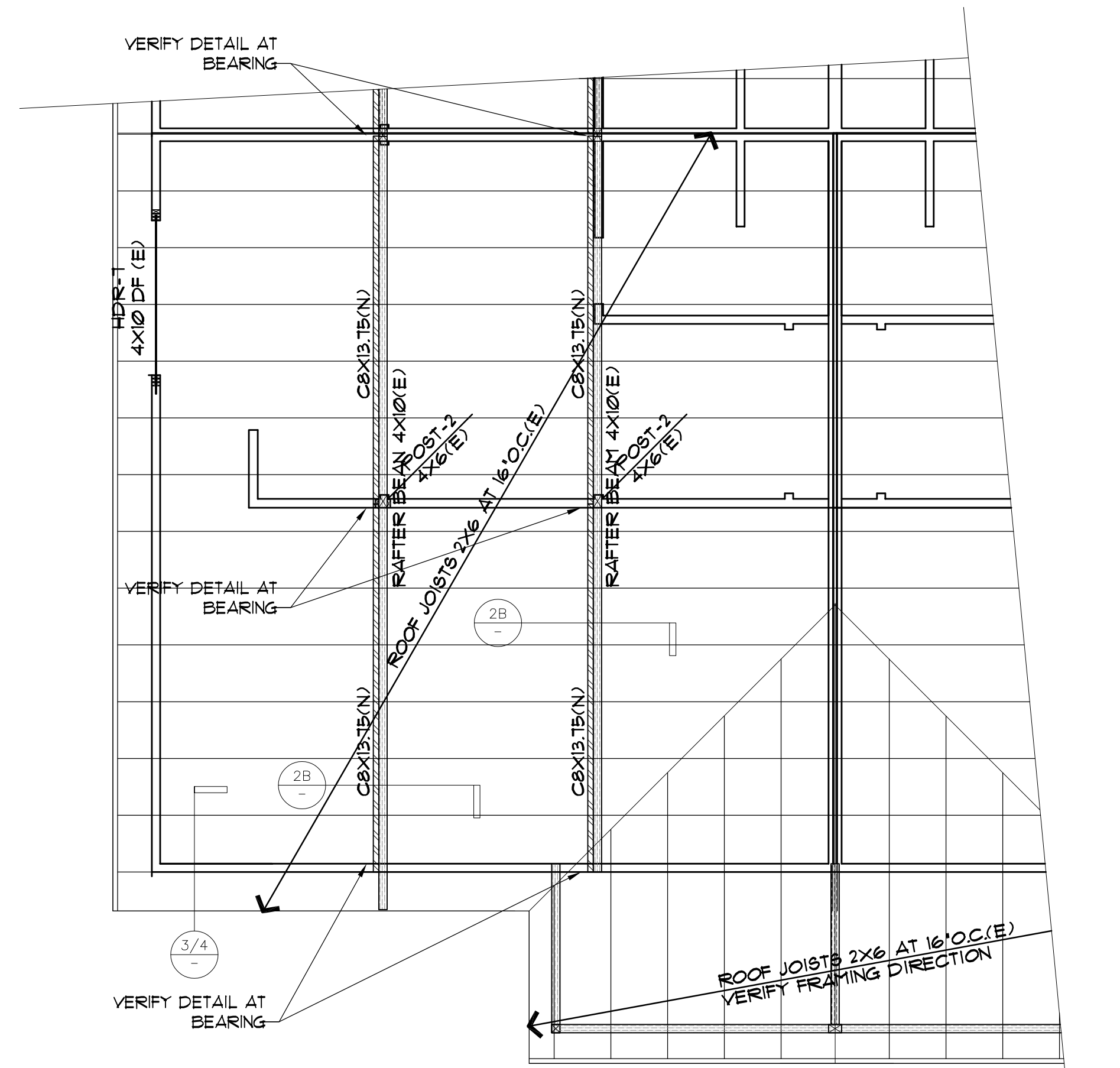
| FOUNDATION | | | |
|------------------|--|----------------|----------------------|
| NAME | MEMBER (VERIFY) | CODE COMPLIANT | COMMENTS |
| SLAB ON GRADE | 4' CONCRETE SLAB #5 AT 18' O.C. E.W. | YES | ASSUMED/NOT VERIFIED |
| THICKENED SLAB-1 | 3'-0" X 3'-0" X 12" | YES | ASSUMED/NOT VERIFIED |
| THICKENED SLAB-2 | 2'-0" X 2'-0" X 10" | YES | ASSUMED/NOT VERIFIED |
| THICKENED SLAB-3 | 8' X 12' (2) #4 CONTIN. | YES | ASSUMED/NOT VERIFIED |
| THICKENED SLAB-4 | 8' X 12' (2) #4 CONTIN. | YES | ASSUMED/NOT VERIFIED |
| STEM WALL | 6' X 24' (3) #4 HORIZ, #4 VERTS @ 48' O.C. | YES | ASSUMED/NOT VERIFIED |
| FOOTING | 8' X 12' (2) #4 CONTIN. | YES | ASSUMED/NOT VERIFIED |

NOTES: FOUNDATION CONDITIONS ARE ASSUMED AND NOT VERIFIED, IF CONDITIONS REMAIN UNCHANGED, FOUNDATION DOES NOT NEED TO BE VERIFIED



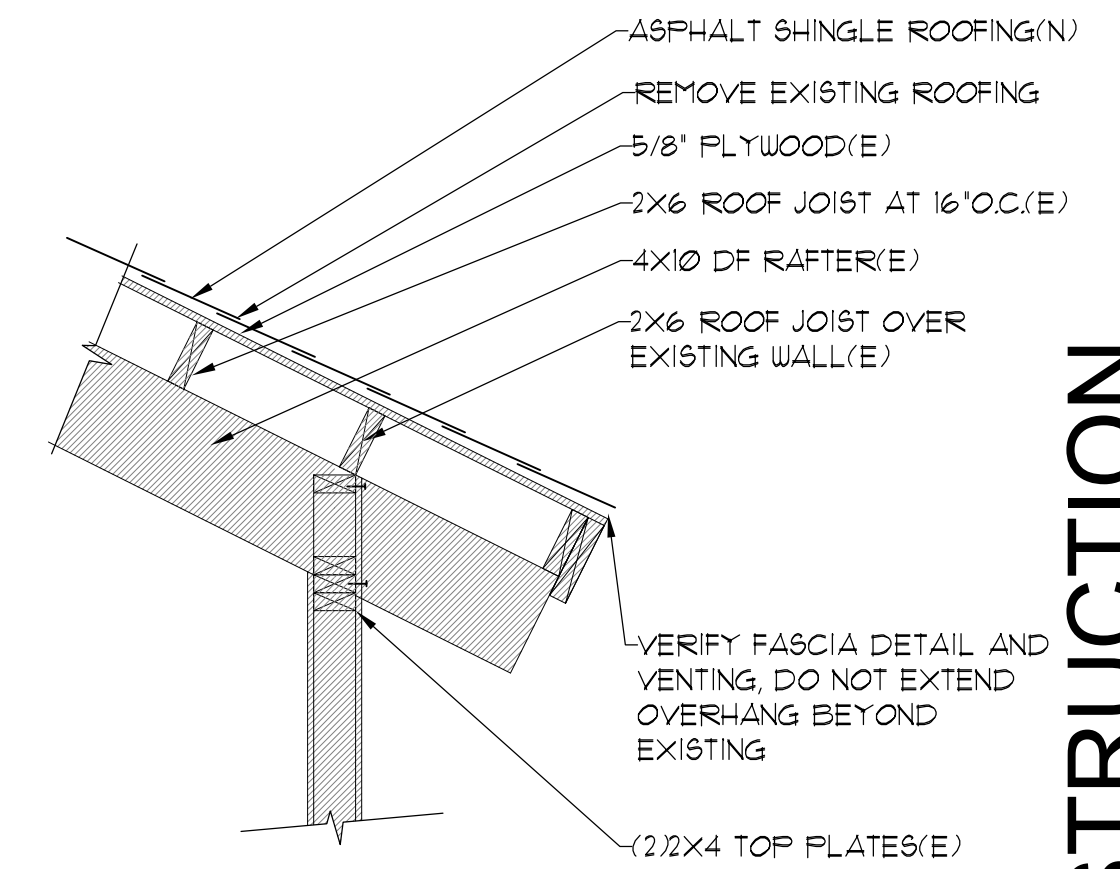
**ROOF FRAMING OPTION 1 & 2
WITH NEW WOOD RAFTER BEAMS**

SCALE: 1/4"=1'-0"

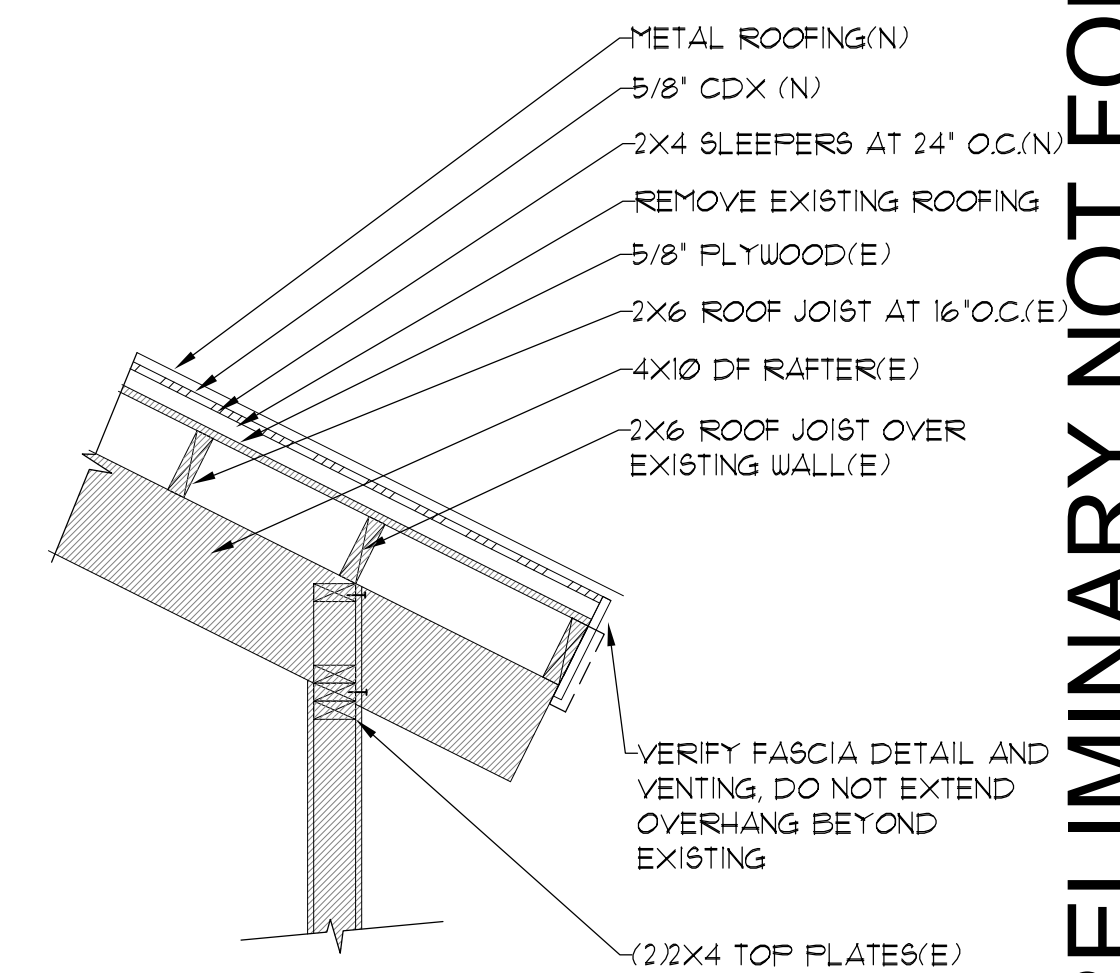


**ROOF FRAMING OPTION 1 & 2
WITH NEW STEEL RAFTER BEAMS**

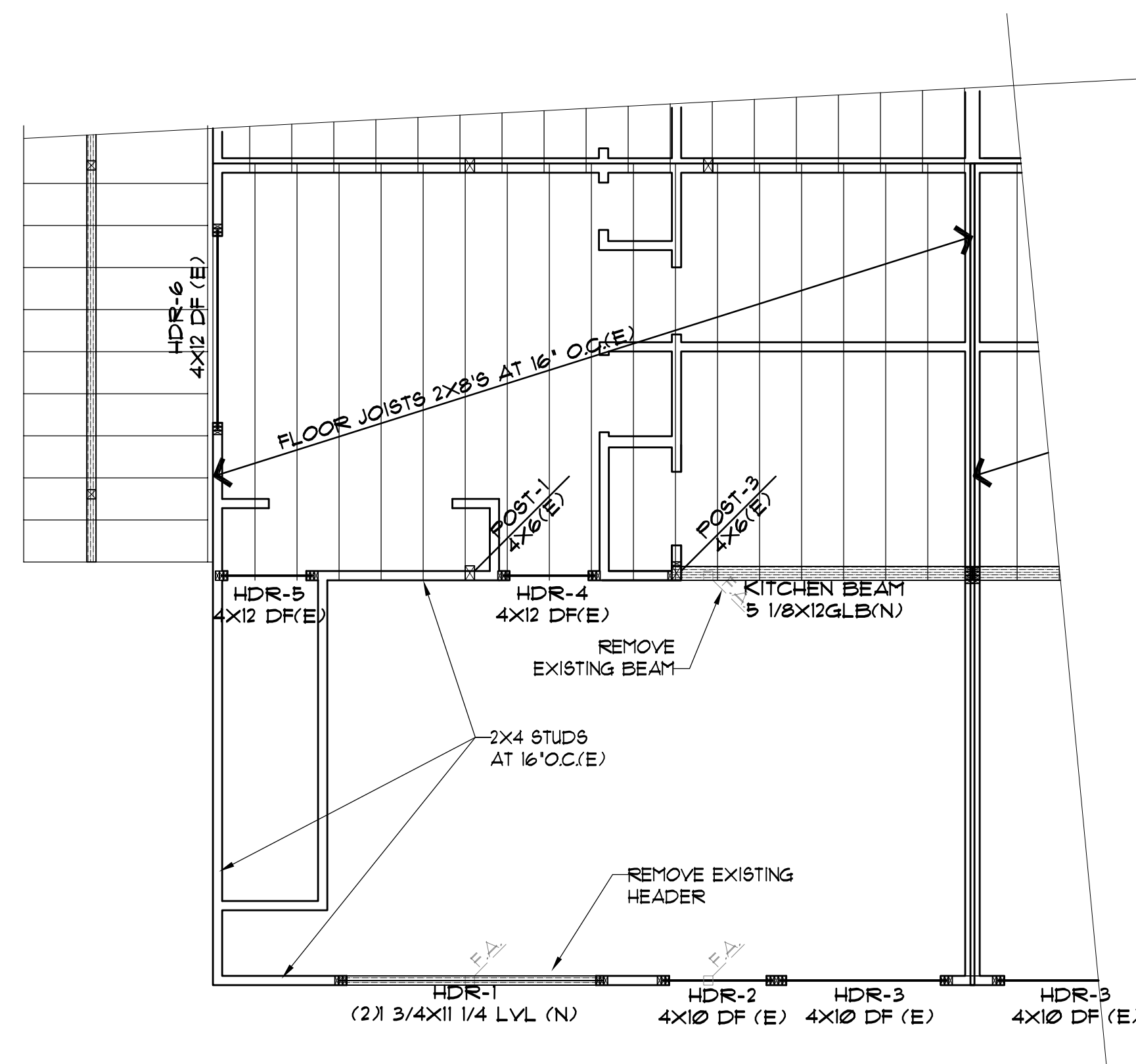
SCALE: 1/4"=1'-0"



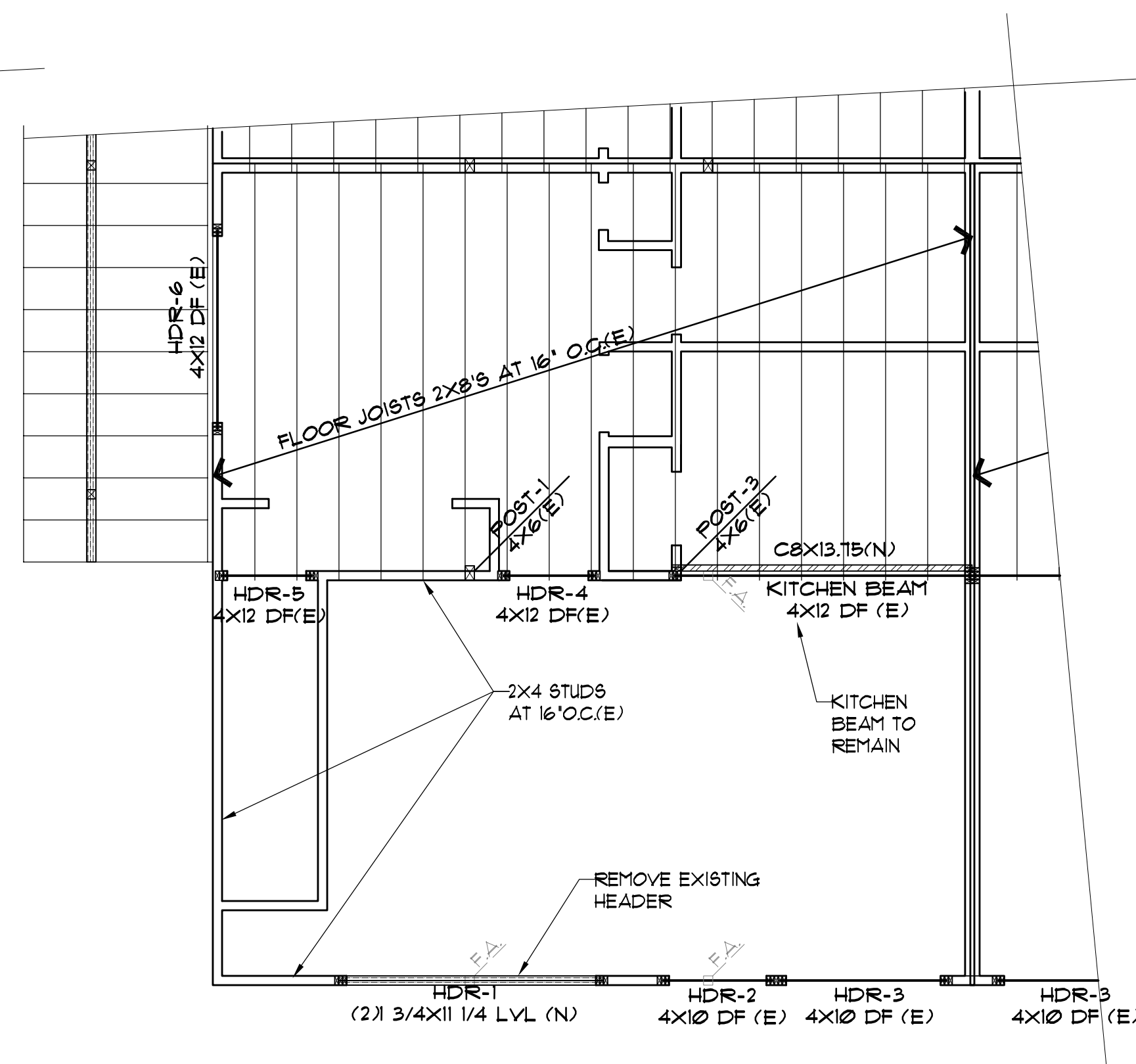
4 OPTION 2 : ASPHALT ROOF SHINGLE



**3 OPTION 1 : METAL ROOF, WITH 2X
SLEEPER COLD ROOF**

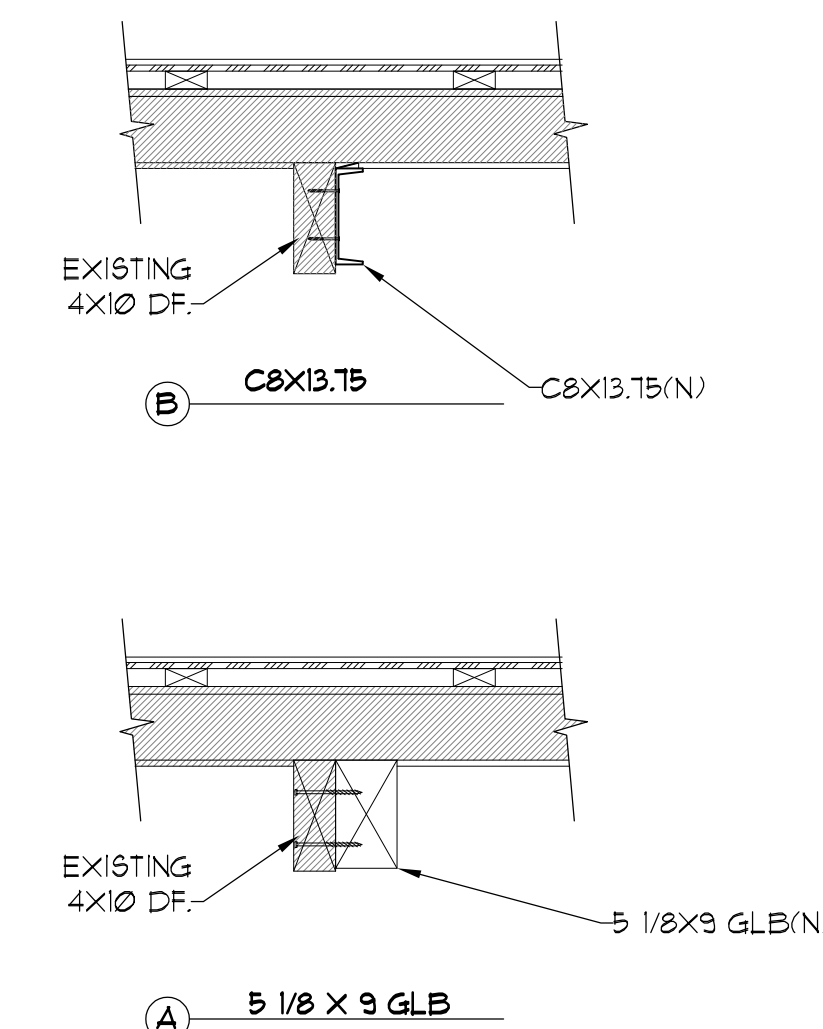


**UPPER FLOOR FRAMING PLAN OPTION 1 & 2
WITH NEW LVL HEADER & GLULAM KITCHEN BEAM**



**UPPER FLOOR FRAMING PLAN OPTION 1 & 2
NEW LVL HEADER & STEEL KITCHEN BEAM**

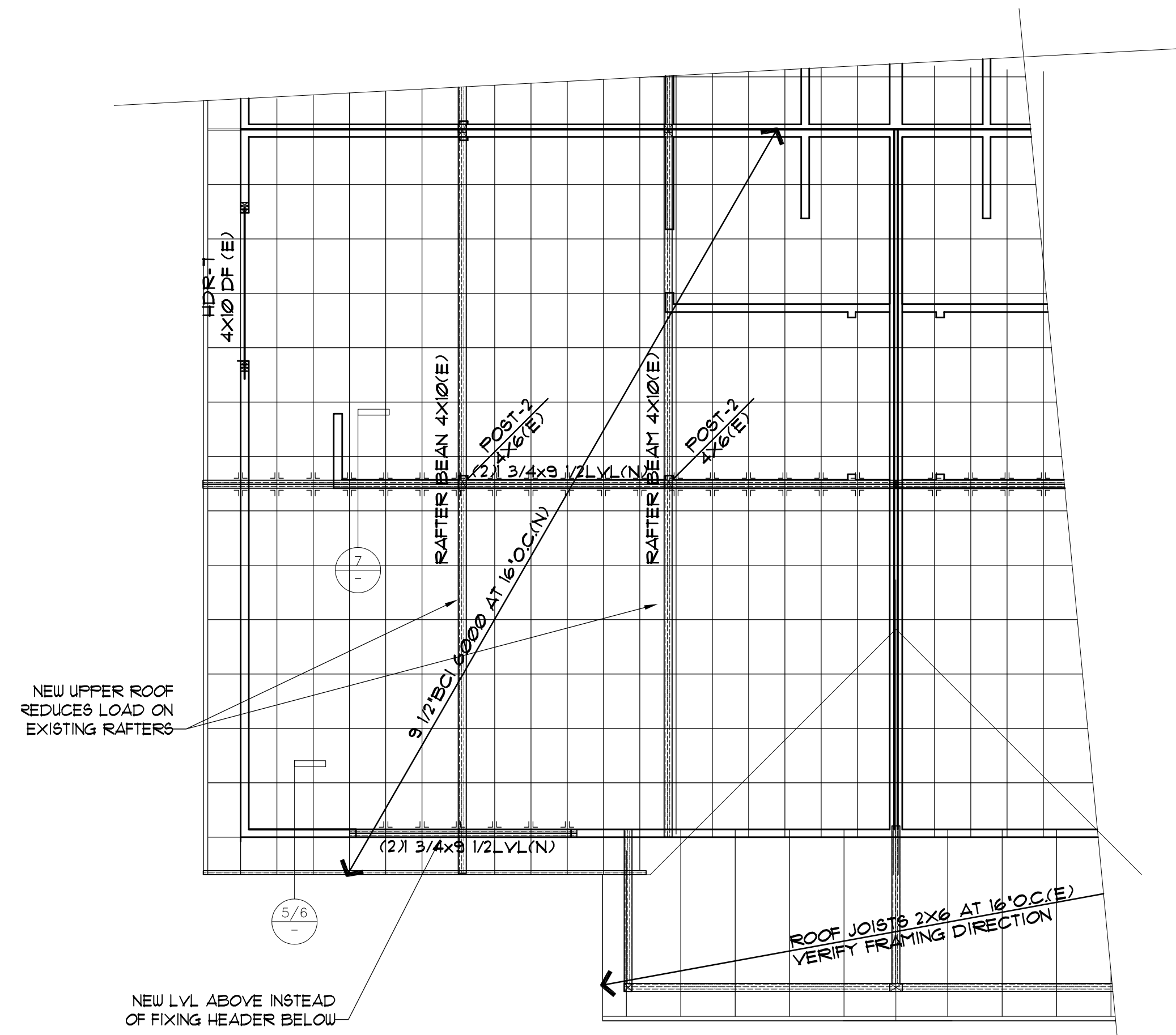
SCALE: 1/4"=1'-0"



2 RAFTER FIX DETAIL

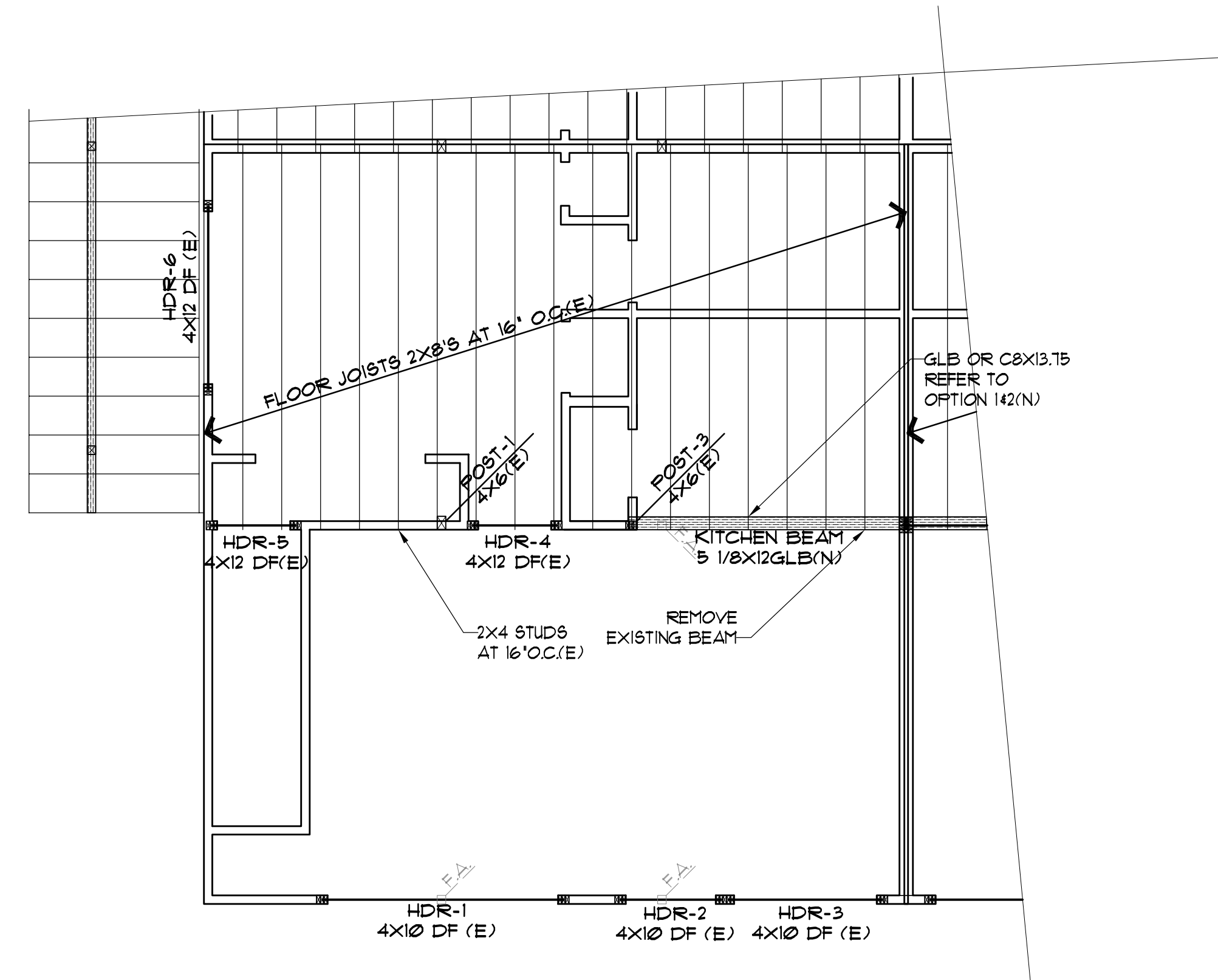
SCALE: 3/4"=1'-0"

PRELIMINARY NOT FOR CONSTRUCTION



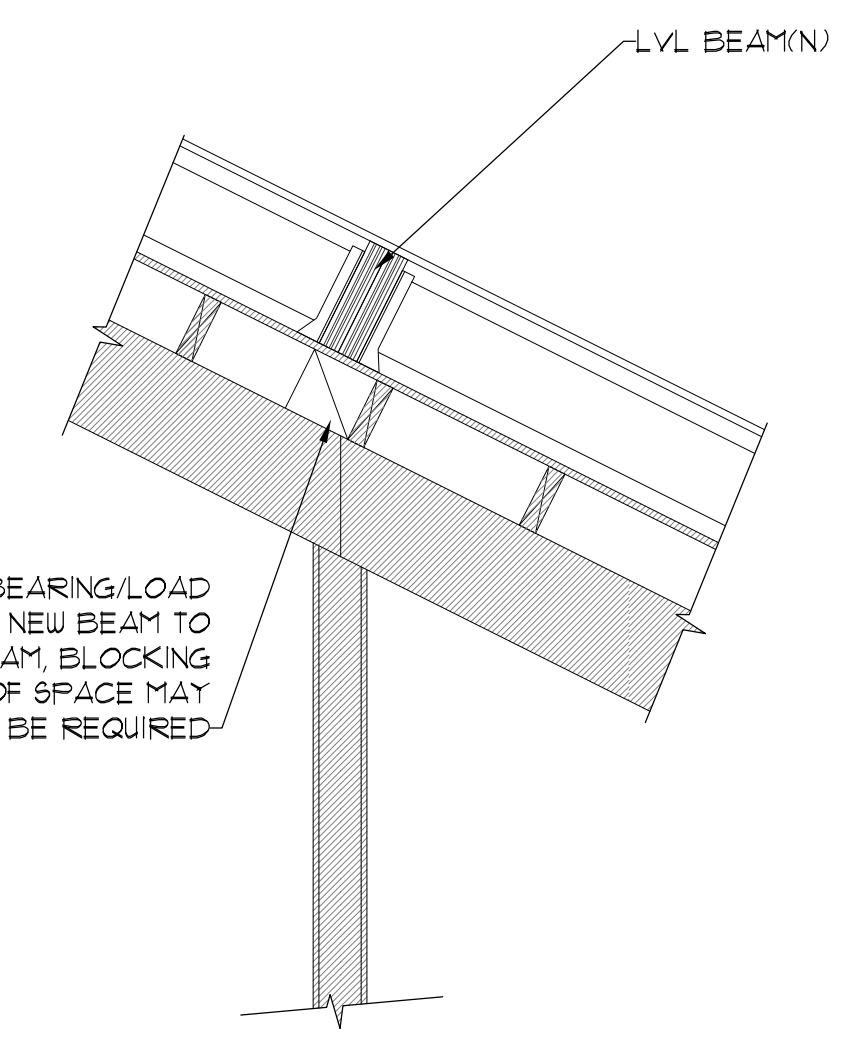
**ROOF FRAMING OPTION 3 & 4
WITH NEW 9 1/2" I-JOIST COLD ROOF**

SCALE: 1/4"=1'-0"

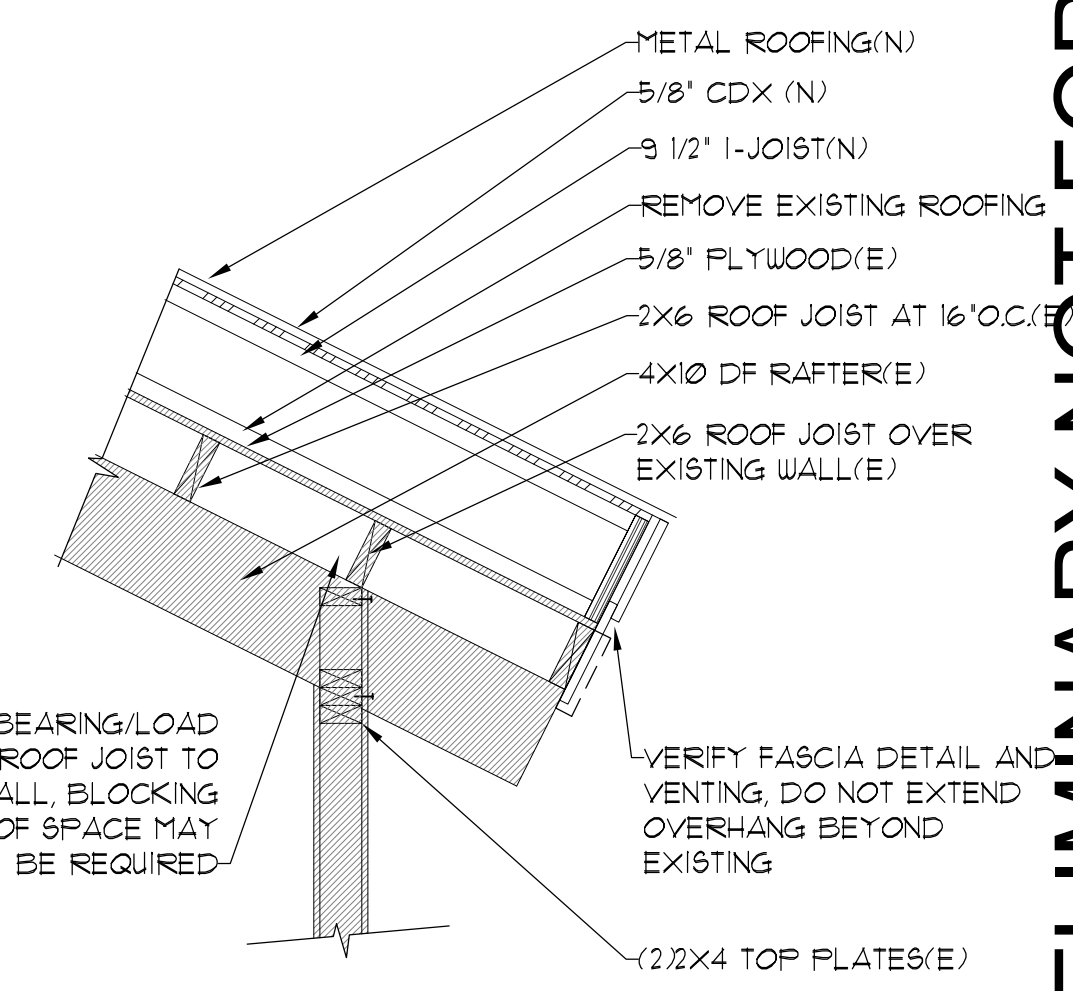


**UPPER FLOOR FRAMING PLAN OPTION 3 & 4
NEW GLULAM KITCHEN BEAM OR STEEL KITCHEN BEAM**

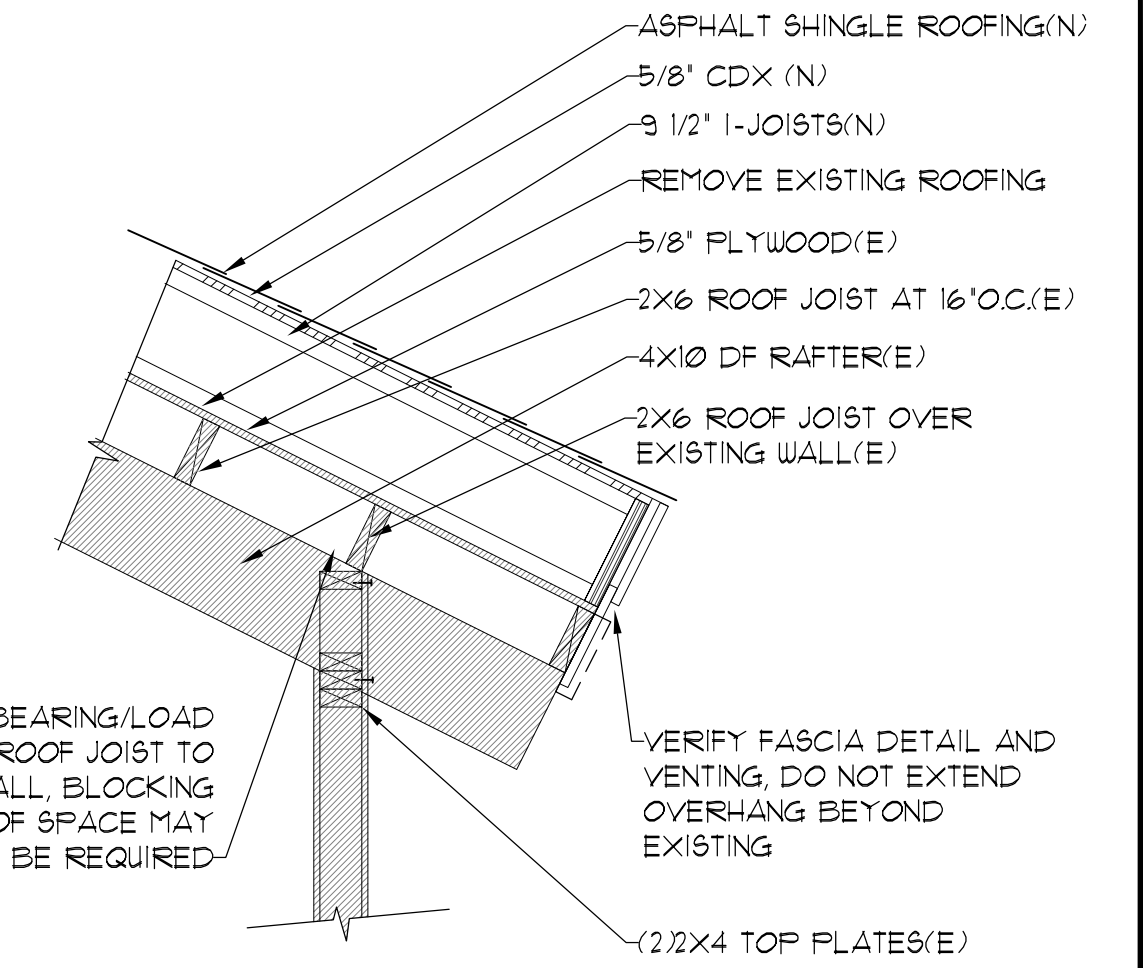
SCALE: 1/4"=1'-0"



⑦ OPTION 3/4 AT MID BEARING



⑥ OPTION 4 : METAL ROOF, WITH 9 1/2" COLD ROOF



⑤ OPTION 3 : ASPHALT SHINGLES, WITH 9 1/2" COLD ROOF

SCALE: 3/4"=1'-0"

PRELIMINARY NOT FOR CONSTRUCTION